

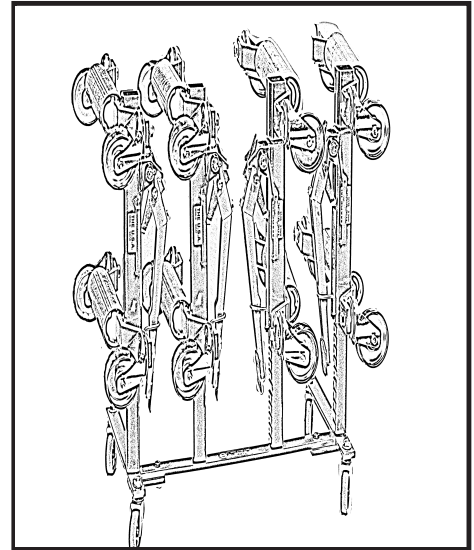
GoJak® Storage Cart Model G567R



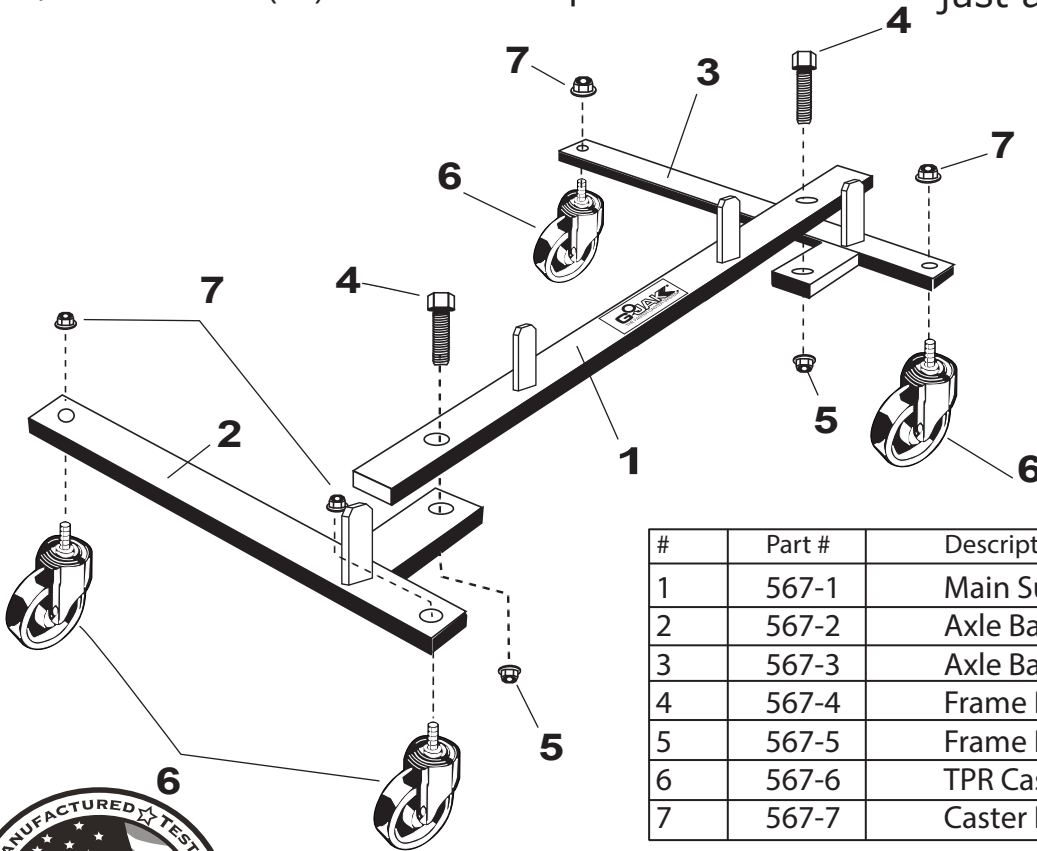
THE FASTER CASTER SYSTEM®

ASSEMBLY INSTRUCTIONS

- Install frame bolts (#4) as shown below
- Square main support bar (#1) and axle bars (#2,3) to each other before tightening
- Tighten 1/2" frame lock nuts (#5) to 60lbs of torque so serrations grip into steel frame
- Install the casters (#6) as shown below and tighten 1/2" caster nuts (#7) to 40 lbs of torque



*GoJaks® can be stored just as pictured above



#	Part #	Description	QTY
1	567-1	Main Support Bar	1
2	567-2	Axle Bar - Left	1
3	567-3	Axle Bar - Right	1
4	567-4	Frame Bolt (1/2-13 x 1.5")	2
5	567-5	Frame Nut (1/2-13)	2
6	567-6	TPR Caster (1/2" Stem)	4
7	567-7	Caster Nut (1/2-13)	4



Phone: 800-446-5257 Email: info@zendextool.com

Web: GoJak.com IG: @ZendexTool

#RollWithGoJak