



TABLE OF CONTENTS

SAFETY INSTRUCTIONS	1
DEFINITIONS	1
SPECIFICATIONS	2
INSTALLATION INSTRUCTIONS	2
OPERATING INSTRUCTIONS	3
Positioning the Strut Assembly	3
Disassembly	6
Reassembly	7
MAINTENANCE	8
REPAIR PARTS	9
WARRANTY	11

SAFETY INSTRUCTIONS

- NEVER allow unauthorized personnel to operate this product.
- NEVER use this product for anything other than its intended use.
- THOROUGHLY train new employees in the proper use and care of this product.
- PROHIBIT unauthorized personnel from being in shop area while this product is in use.

DEFINITIONS

- **CAUTION:** Indicates a potentially hazardous situation, which if not avoided, may result in damage to property or minor personal injury.
- **HAZARD:** A source of potential injury to a person.
- **MAINTENANCE:** Those actions that preserve the correct and proper conditions under which the machine shall be used. This may include adjustment, replacement of wear items, lubrication and cleaning, but not modifications or repair of damage.
- **MAY:** This word is understood to be permissive.
- **MUST:** This word is understood to be mandatory.
- **OPERATION:** The correct and proper use of the machine as described in this manual.
- **SAFETY ALERT SYMBOL:** A symbol that indicates a potential personal safety hazard. It is composed of an equilateral triangle surrounding an exclamation point.
- **SHALL:** This word is understood to be mandatory.
- **SHOULD:** This word is understood to be advisory.
- **WARNING:** Indicates a potentially hazardous situation, which if not avoided, may result in death or serious personal injury.

CAUTION

- ◆ Before using this product, read and fully understand the operating instructions and all decals on the product. This is necessary to prevent injury to the operator and damage to the product.
- ◆ Do not attempt to use this product for anything other than its intended purpose.
- ◆ Do not use this product if it is visibly worn, distorted or damaged.
- ◆ Always check condition of rubber hook pads on all six hooks before using this tool. Replace if damaged or missing.
- ◆ Always wear appropriate eye protection.
- ◆ Inspect the spring of the strut assembly for any damage or corrosion. Spring breakage during compression could cause injury.

WARNING

- ◆ Failure to properly position the strut assembly in tool could result in serious injury from sudden release of the strut assembly parts.

SPECIFICATIONS

Max. Spring Compression Capacity	3000 lbs (1361 kgs)
Min./Max. Spring Diameters	3.5 / 11.5 in (9 / 29 cm)
Packaged Dimensional data	18.5 x 20 x 43.63 in (47 x 51 x 111 cm)
Shipping Weight	100 lbs (45 kgs)

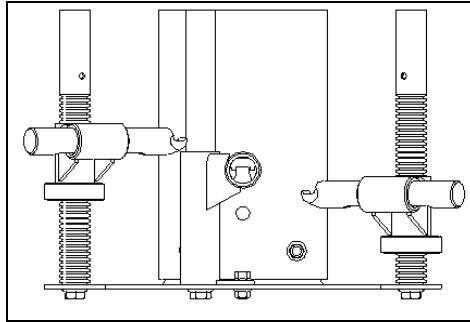
INSTALLATION INSTRUCTIONS

1. Unpack and remove the unit from the shipping carton.
2. Inspect the unit for any visible damage.
3. Install on a solid vertical wall or post. (Can also be installed on an OPTIONAL benchmount or portable cart)
4. Anchor the unit to the wall or post utilizing the two holes in the back plate. Make sure there is no movement between the back plate and wall or post.

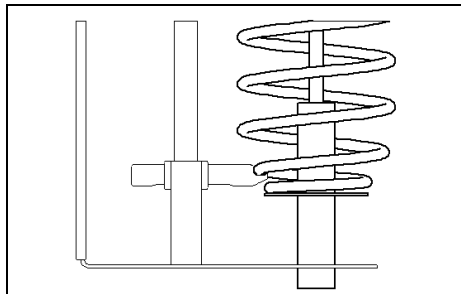
OPERATING INSTRUCTIONS

Step 1. Positioning the Strut Assembly

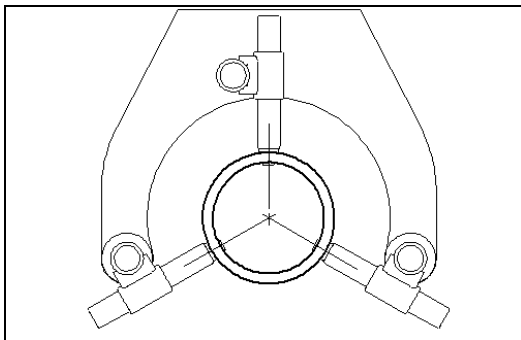
- A) Adjust lower right hook to a position just below the lower center hook. Adjust lower left hook to a position just above the lower center hook.



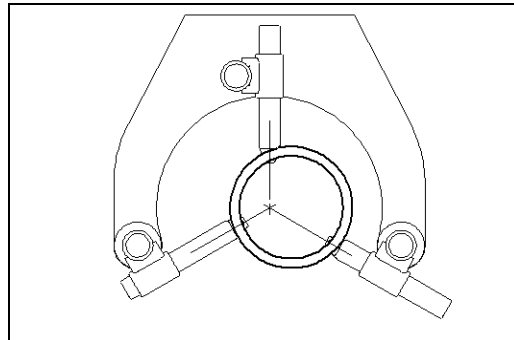
- B) Place strut assembly on the lower center hook using the lowest possible coil of the spring.



- C) Engage lower left and right hooks with spring. Center the spring within lower hooks. The three lower hooks should be equally extended.

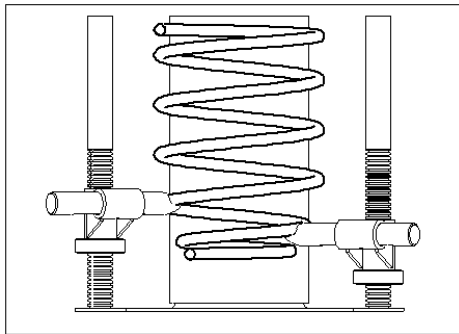


CORRECT

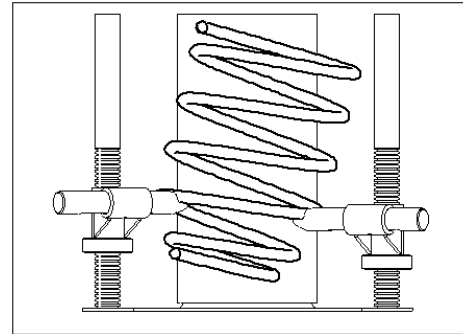


INCORRECT

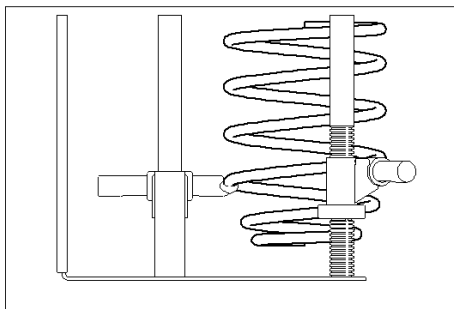
D) Align strut assembly by adjusting the lower left and right hooks. When properly aligned, the spring of the strut assembly will be parallel to the posts of the tool when viewed from both the front and side.



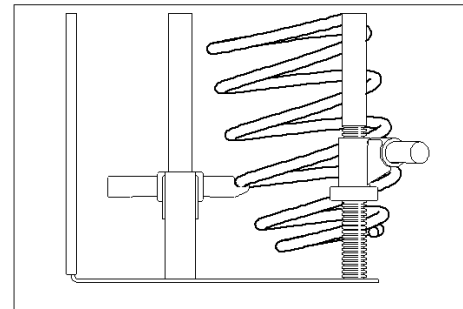
Front
CORRECT



Front
INCORRECT

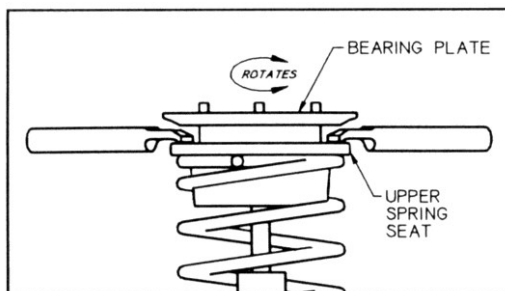


Side
CORRECT



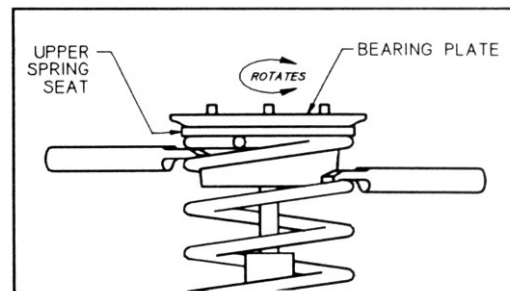
Side
INCORRECT

E) Identify the strut assembly type you are servicing.



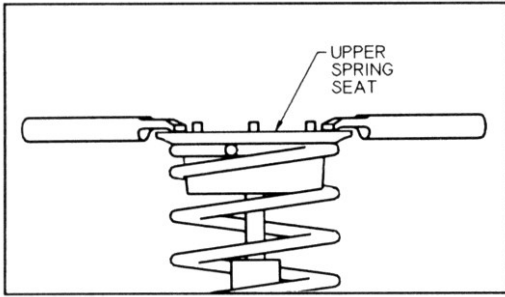
Type 1

This type of strut has a bearing plate (which rotates) and upper spring seat. Place upper hooks on the upper spring seat. **Do not place hooks on bearing plate.**



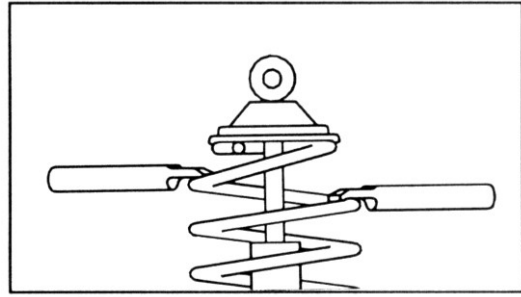
Type 2

This type of strut has a bearing plate (which rotates) and upper spring seat without space between them. Place upper hooks on the highest coil of the spring. **Do not place hooks on bearing plate.**



Type 3

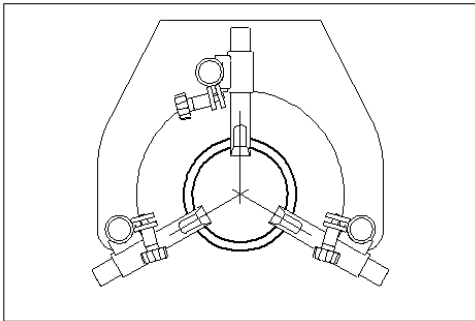
This type of strut has only an upper spring seat. Place upper hooks on upper spring seat.



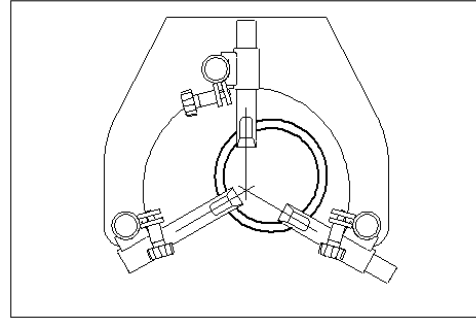
Type 4

This is a coil over shock. Place upper hooks on the highest coil of the spring.

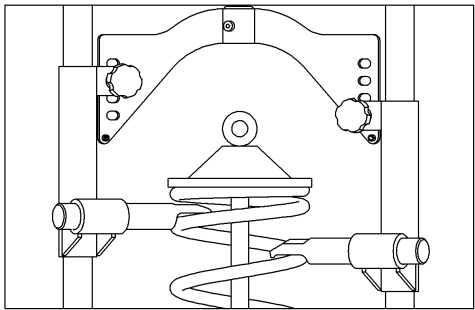
F) Engage all three upper hooks as shown above for the type of strut assembly you are servicing. The three upper hooks should be equally extended and contacting the strut.



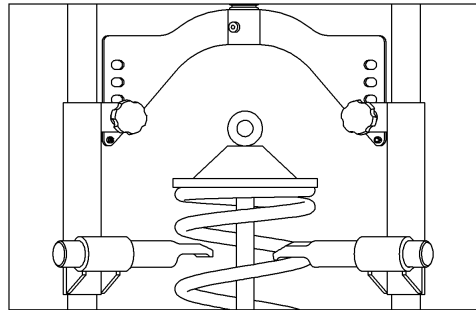
CORRECT



INCORRECT



CORRECT



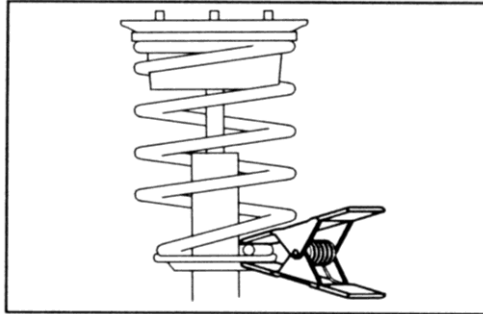
INCORRECT

Step 2. Disassembly

⚠ CAUTION

- ◆ **If the strut assembly is difficult to compress or the spring bows or tilts, release tension and reposition the strut assembly.**
- ◆ **Keep fingers and hands clear of the upper hook area at all times.**

- A) With the strut assembly properly positioned, turn handles to compress spring until the bottom coil of spring is just free of the lower spring seat. **DO NOT OVER COMPRESS THE SPRING!**
- B) Secure strut to spring with the clamp to prevent strut from dropping out unexpectedly.



- C) Mark upper strut parts to aid in reassembly.

⚠ WARNING

- ◆ **Use extreme care when working with a compressed spring.**
- ◆ **Never remove the piston rod nut when there is any spring pressure on the lower spring seat.**

- D) Working from the right side when facing strut compressor, remove the piston rod nut.
- E) Remove the clamp while holding strut. Carefully remove strut and related parts.
- F) Service or replace strut as required. It is not necessary to release spring from tool when servicing strut only.

NOTE: When replacing top spring seat or spring, make note of the position of the spring seat and spring before releasing spring from tool. Replace new strut parts in tool in the same position as the old.

Step 3. Reassembly

- A) Position the new strut within spring. Secure strut to spring with the clamp.
- B) Install piston rod nut. **NUT MUST BE FULLY ENGAGED ON PISTON ROD THREADS!**
- C) Release pressure on spring. Remove the clamp. Remove strut assembly from tool.

MAINTENANCE

NOTE: To avoid personal injury or damage to the Model 7600, permit only qualified personnel to perform maintenance.

See repair parts breakdown for replacement parts.

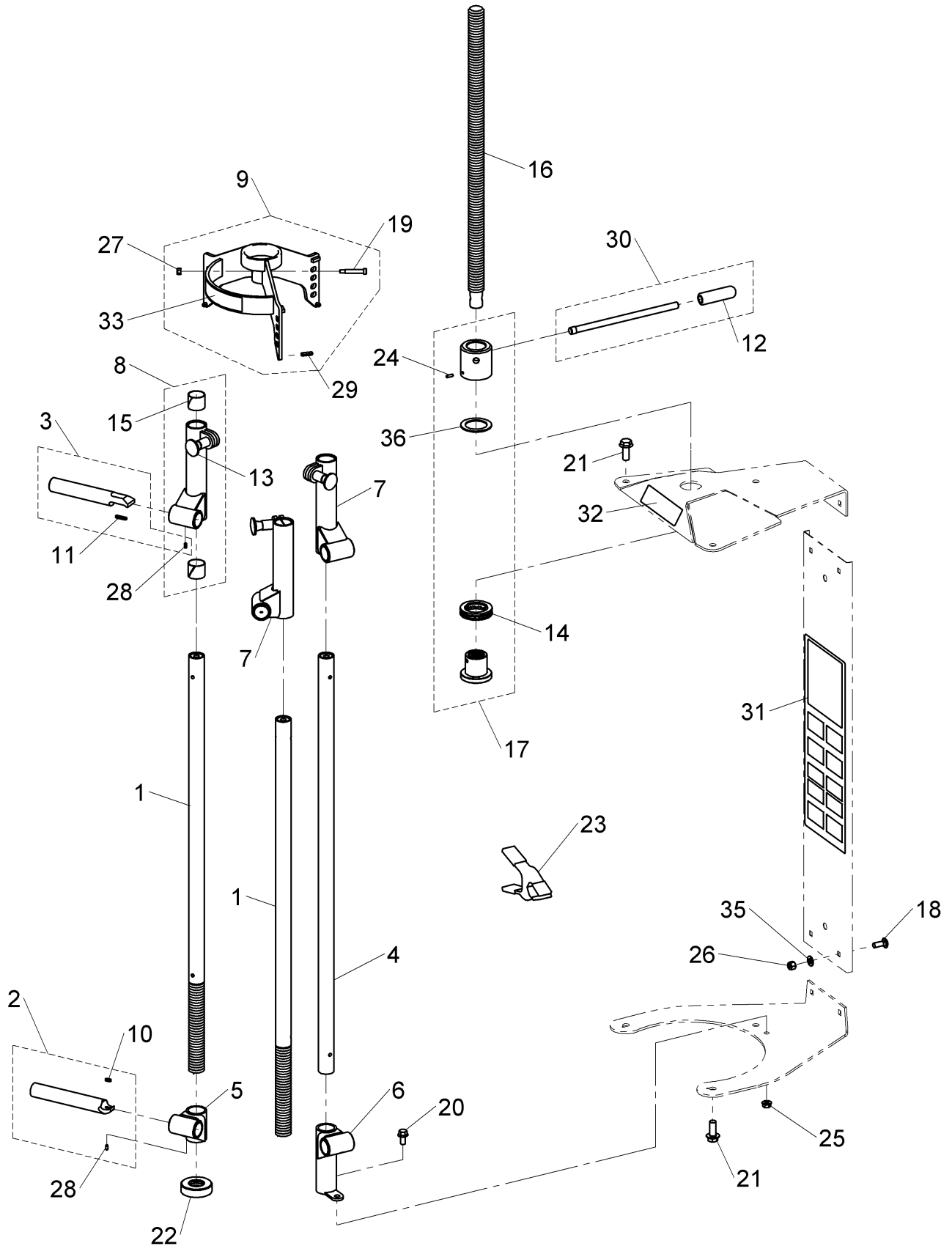
- | | |
|----------------------|---|
| ALWAYS: | Keep hooks and pads free of oil and grease. |
| DAILY: | Inspect thrust bearing, drive screw, hooks, posts, lock pins and slots for wear. |
| MONTHLY: | Wipe down and clean ACME drive screw. |
| PERIODICALLY: | Inspect unit for loose or missing components. |
| YEARLY: | Clean and lightly lubricate thrust bearing. |
-

OWNER'S RECORDS

Date Installed: _____

Date Code _____ *Located under bottom plate*

REPAIR PARTS



MODEL 7600 SERVICE PARTS

ITEM	PART NO.	QTY	DESCRIPTION
1	01-0085	2	POST
2	05-0130	3	LOWER HOOK KIT (Includes: Lower Hook, Hook Pad & Spring Pin)
3	05-0129	3	UPPER HOOK KIT (Includes: Upper Hook, Hook Pad & Spring Pin)
4	03-0418	1	BACK POST
5	03-0423	2	ADJUSTABLE HOOK HOUSING
6	03-0427	1	HOOK HOUSING
7	05-0131	2	UPPER RIGHT/REAR HOOK HOUSING KIT (Includes: Hook Housing, (2) Nylon Bearings, Knob, Spring, Lock Pin & Spring Pin)
8	05-0132	1	UPPER LEFT HOOK HOUSING KIT (Includes: Hook Housing, (2) Nylon Bearings, Knob, Spring, Lock Pin & Spring Pin)
9	05-0128	1	COMPRESSION HEAD KIT (Includes: Compression Head, Shoulder Screw, Nut & (3) Spring Pins)
10	10-0011	3	LOWER HOOK PAD
11	10-0012	3	UPPER HOOK PAD
12	10-0022	3	HANDLE GRIP
13	05-0072	3	LOCK PIN KIT (Includes: Knob, Spring & Lock Pin)
14	20-0043	1	BEARING
15	20-0044	6	NYLINER BEARING
16	21-0013	1	ACME DRIVE SCREW
17	05-0126	1	HUB & BEARING KIT (Includes: Handle Hub, Threaded Hub, Bearing, Thrust Washer & (2) Spring Pins)
18	028-064	4	3/8-16 X 1 CARRIAGE BOLT
19	50-0025	1	5/16 X 1 SHOULDER SCREW
20	50-0065	1	3/8-16 X 3/4 HEX HEAD SERRATED FLANGE SCREW
21	50-0068	6	1/2-13 X 1-1/4 HEX HEAD SERRATED FLANGE SCREW
22	51-0015	2	ACME ADJUSTMENT NUT
23	53-0008	1	SPRING CLAMP
24	54-0010	2	3/16 X 9/16 SPRING PIN
25	055-103	1	3/8-16 SERRATED HEX FLANGE NUT
26	055-154	4	3/8-16 NYLON HEX LOCK NUT
27	055-160	1	1/4-20 NYLON HEX LOCK NUT
28	061-042	6	3/16 X 3/8 SPRING PIN
29	061-091	3	1/4 X 7/8 SPRING PIN
30	05-0127	3	HANDLE KIT (Includes: Threaded Handle & Grip)
31	80-0400	1	INSTRUCTION DECAL
32	80-0398	1	MODEL 7600 DECAL
33	80-0399	1	7600 WARNING DECAL
* 34	81-0246	1	MODEL 7600 OPERATING INSTRUCTIONS
35	108-015	4	3/8 SAE FLAT WASHER
36	108-137	1	THRUST WASHER

* Item not shown

COMMERCIAL WARRANTY

This product is warranted by BRANICK INDUSTRIES, INC. to the original user-owner against defective materials or workmanship for a period of one year from the date of shipment. During the warranty period, at the discretion of Branick management, if the product is found to be defective, it will be repaired or replaced without charge. For service, contact Branick (800-437-4394) to obtain an RMA. Any product shipped to Branick must have an RMA and proof of original shipment date. The repaired or replacement product will be returned with transportation charges prepaid by Branick.

This warranty does not cover defects in the product caused by ordinary wear and tear, abuse, misuse, overloading, accident (including shipping damage), improper maintenance, alteration, or any other cause not the result of defective materials or workmanship.

REPAIR OR REPLACEMENT IS THE EXCLUSIVE REMEDY FOR DEFECTIVE PRODUCT UNDER THIS WARRANTY. THIS WARRANTY IS EXPRESSLY IN LIEU OF ALL OTHER WARRANTIES, INCLUDING ANY IMPLIED WARRANTY OF MERCHANT ABILITY OR ANY IMPLIED WARRANTY OF FITNESS FOR A PARTICULAR PURPOSE OF THIS PRODUCT. BRANICK INDUSTRIES, INC. SHALL NOT BE LIABLE FOR ANY CONSEQUENTIAL OR INCIDENTAL DAMAGES.

BRANICK INDUSTRIES, INC. reserves the right to make changes in the design or construction of our products without obligation to incorporate such changes in products already sold and without notice.

Service parts and regular repair service are available from authorized distributors of Branick products, or from:

BRANICK INDUSTRIES, INC.
4245 Main Ave.
 Fargo, North Dakota 58103
Toll Free: 800-437-4394

