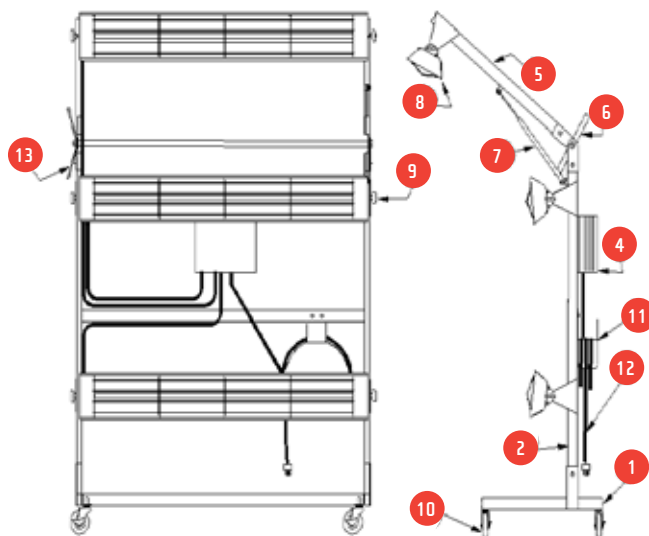


REF	PART	DESCRIPTION
1	13-1450	Stand Base w/ Casters
2	13-1440	S9000P/3 Stand Middle
	13-1420	Hardware Set Complete
4	13-1511	Control Box Complete (digital)
5	13-1430	S9000P/3 Stand Upright
6	13-1480	Swivel Mechanism
7	13-1490	Shock Arm
8	13-1240	Grill Guard (Spec. Mod.)
9	13-1090	1/4-20 x 9/16" Male Knob
10	13-1613	4" Locking Caster
11		Power Cord Hanger
12	13-1520	50' 8 Ga. 3-Wire Power Cord
13		Swivel Lock Handle
	13-1360	Heater Cord (14/3)
	13-1380	3/8" 2-Screw Connector (3)
	13-1390	3/4" 2-Screw Connector (1)
	13-1350	Power Cord (8/3) 7'
	13-1522	Hardware Set
	13-1200	Heater Body Reflector
	13-1210	End Reflector
	13-1220	J Box Cover
	13-1230	Lead Wire Set (Spec. Mod)
	13-1250	Hardware Set
	13-1260	Heater Mounting Bracket Tabs
	13-1340	Wire Loom Set



SMALL PARTS LIST

(2) 4" locking caster wheels	(2) 3/8" x 1-1/2" hex bolts	(4) 3/8" flat washer
(4) 5/16" flat washers	(6) wire nuts	(4) 5/16" nuts
(4) 1/2" nuts	(6) heater mounting brackets	(4) 5/16" x 1-1/2" bolts
(4) 1/2" flat washers	(2) 3/8" nuts	(2) 3/8" x 3/4" hex bolts
(4) 5/16" lock washers	(2) 3/8" nylon nuts	(6) black tube end caps
(1) gas shock	(6) pressure tab washers	(6) 1/4" male knob
(3) wire connectors	(2) 3/8" lock nuts	

ASSEMBLING YOUR NEW SYSTEM

Unpack Your System: Carefully unpack your new system, making sure all parts for assembly are included. If any parts are missing, call customer service for replacement.

Assemble Stand: Mount upper arm with 3/8" x 1-1/2" nut and bolt (hand tight only shock is installed). Next, install casters with 1/2" nut and flat washer. Bolt gas shock to center frame and upper arm using 3/8" x 3/4" bolt, nut, flat and lock washer.

Mount Control Box: Using the 5/16" bolts, nuts, flat and lock washers.

Final Assembly: Attach the "half rounds" to the ends of each heater. Mount each heater with the supplied pressure tabs and the 6 ea. male knobs. Wire heater per wiring instructions on the heater assembly page. Secure cords with cord connectors into junction box's. Use cable ties to secure heater cords to strand. Adjust tension of center pivot (#6) so that upper arm is held in place without any adjustment.

First Use: Your Infratech curing system is ready for use. Only plug into a grounded power source. Position the system 18" or more away from the area to be cured.

ELEMENT REPLACEMENT INSTRUCTIONS

Step 1: Check U/L label on heater for proper voltage.

Step 2: Remove end plates.

Step 3: Open element clips at each end of Heater and carefully install quartz tube. Remove one nut from end of element. Slip on wire over element screw. Replace nut. NOTE: Hold element ceramic firmly while tightening nut to prevent damage to element. Nut should be tightened snug, as loose connection could cause element to fail.

Connect other side of element in like manner. Close element clips over tube.

Step 4: Replace end plates.

Step 5: Clean tube and reflector with alcohol.

Step 6: Snap on grill provided.

ELEMENT REPLACEMENT

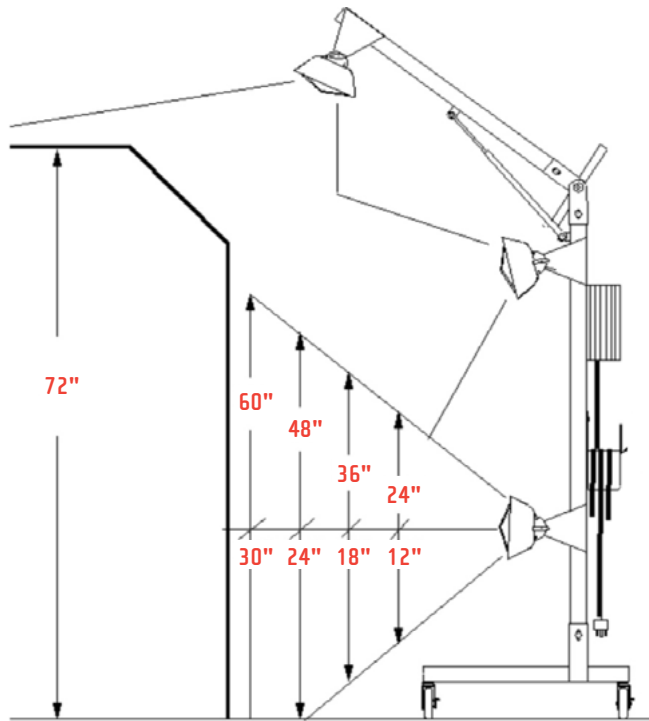
S-9000-P 240V

ORDER NO. 10-2030

S-9000-P 208V

ORDER NO. 10-2040

OPERATING TIPS



Your new Infratech infrared (IR) curing system provides fast, efficient curing for virtually every type of paint, primer, body filler, bonding adhesive and plastic repair product. Infratech infrared heats from the inside out, providing the best possible cure. It does not heat the air. IR cures by first heating the coating for the prescribed time to effect solvent evacuating and cross linking; the cure cycle is complete after the heated area cools back to room temperature. Once this full cycle is complete, the coating is fully cured and final assembly or cleanup for delivery can start. Care should be taken when using your new system. Operating the system too close to the part being cured can cause damage. When you first use your system, start at a distance of 24" to 30". As you gain experience using your system, you may be able to move the system closer (18" min. distance) to apply more heat and speed the curing cycle. Infratech heaters are powerful enough to blister paint and melt plastic. Additionally, it should be noted that different colors absorb IR at different rates; black absorbs IR far quicker than white. So darker colors may cure faster than lighter colors. Adjustments in distance may have to be made to accommodate the differences.

CURING TIME

PAINT TYPE	DISTANCE FROM SURFACE	FLAT AREA	CURING TIME
Solvent Based Primer	18"	6' x 8' coverage	5 minutes
Water Based Primer	18"	6' x 8' coverage	10 minutes
2 Pack Primer	18"	6' x 8' coverage	12 minutes
High Solids Clear Topcoat	18"	6' x 8' coverage	30 minutes
2 Pack Topcoat	18"	6' x 8' coverage	30 minutes
Acrylic Enamel	24"	6' x 8' coverage	35 minutes
Polyurethane Clear Coat	24"	6' x 8' coverage	35 minutes

WORKING WITH INFRARED & PAINT

Every coating system, applicator and shop have many variables (type of material, thickness applied, type of reducer, air temperature, and ambient moisture content) that come into play when applying and curing coating systems. All these variables must be taken into consideration when setting curing time settings and power intensity settings. The following is our recommendation to establish the correct setting for your shop:

1. Mix paint for the current weather conditions in your area as recommended by manufacturer.
2. Start with an intensity setting of 75% power (default setting).
3. Set cure time according to product being cured (refer to curing time chart).
4. If the job is not cured, add more time at the same intensity to complete the job.
5. For the next job using the same materials, increase intensity 5% (or 10% max.) and use the same recommended time.
6. At the first sign of solvent pop, back the intensity down 5% and use that setting down 5%.
7. Increase time settings until desired cure is achieved.

DIGITAL CONTROL SYSTEM SETUP



CONTROL BOX FUNCTIONS

S-9000-P CONTROL

CONTROL SYSTEM FACTORY PRESETS:

Flash Time: 3 Min.
Cure Time: 30 Min.
Intensity: 75%

Modifying Control Settings

With system plugged in to power and power light on, but prior to starting system, you can change the factory pre-sets.

To Change Flash Time: Press program button until flash time LED flashes, use arrow up or down buttons to increase or decrease time displayed. When light stops flashing, new time is locked into memory.

To Change Cure Time: Press program button until cure time LED flashes then use exact same procedure as described above to adjust cure time.

To Change Intensity Setting: Intensity setting are required for all three zones (heaters). You may operate one, two or all three zones at the same intensity or three different settings as required by specific circumstances. Press program button until first intensity LED flashes; use arrow up or down buttons to increase or decrease percent of power output displayed. Repeat for zones two

and three as desired. When light stops flashing, new settings are locked into memory. NOTE: Changes made prior to starting the system will be locked into memory until you change settings using the above procedures.

Changes During Operation: With system operating you can change any setting by using the above instructions. However, any changes made when the system is operating will not be held in memory after the current operating cycle.

WARNINGS:

NEVER block front of heater
DO NOT operate within 25' of flammable materials
DO NOT use within 10' when spraying operations are in progress
NEVER service heater without disconnecting from power
Source of possible shock
Use only with grounded power source
Only use grounded extension cords that are rated for the amp load of these units.

SPECIFICATIONS

PART NUMBER	MODEL	LENGTH	WATTS	VOLTS	AMPS	SHIPPING WEIGHT (LBS)	Need help? To order replacement elements for your Infratech heating system, please contact us via phone or visit the automotive section of our website.
14-1100	S-9000-P1	61.25"	9,000	240 - 1 PH	37.5	240	
14-1105	S-9000-P2	61.25"	9,000	208 - 1 PH	44	240	
14-1110	S-9000-P3	61.25"	9,000	240 - 3 PH	22	240	
14-1115	S-9000-P4	61.25"	9,000	208 - 3 PH	25	240	